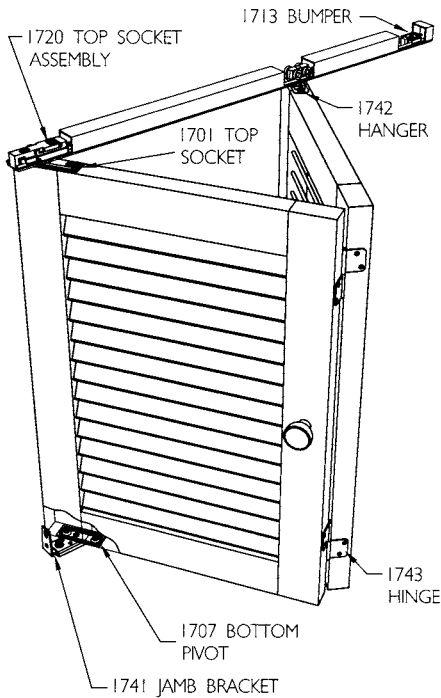


Servery 9

DOOR SPECIFICATION

- Maximum leaf weight 9kg
- Leaf width 150-375mm
- Minimum leaf thickness 18mm
- Maximum leaf height 1200mm



STANDARD SETS

Opening width	Ref. No.	Price \$
1518mm for 4 leaves pivoted from one side	SY4	92.60
2274mm for 6 leaves pivoted from one side	SY6	133.50
3030mm for 8 leaves pivoted from one side	SY8	174.40

STANDARD PACKS

Basic 2 leaf pack comprises bumper, top pivot assembly, top pivot, bottom pivot, jamb bracket, one hanger, two hinges, spanner, all screws and fitting instructions.	1740B	32.00
Add-on leaf pack comprises one hanger, four hinges and all screws.	1740A	26.40

COMPONENTS

1520mm track – aluminium	1740-15	19.60
2280mm track – aluminium	1740-22	29.20
3050mm track – aluminium	1740-30	41.00
Top pivot – steel, zinc dichromate	1701	2.00
Bottom pivot – steel, zinc dichromate	1707	2.00
Bumper – rubber and steel, zinc dichromate	1713	2.00
Top pivot socket	1720	5.40
Jamb bracket	1741	7.30
Hanger	1742	14.80
Hinge	1743	4.70
Spanner	320	2.10

Multifold 25

DOOR SPECIFICATION

- Maximum leaf weight 25kg
- Maximum leaf width 620mm
- Leaf thickness 19mm
- Maximum leaf height 2400mm

STANDARD PACKS

	Ref. No.	Price \$
2 leaf Pack	MF2-B	51.10
Comprises one of each top pivot assembly, bottom pivot, jamb bracket, hanger, bumper, spanner, 3xhinges & screws.		
Add on leaf pack	MF2-A	43.60
Comprises one hanger, 6xhinges & screws		
For each folding unit, select one MF2-B basic pack, sufficient MF2-A add-on packs plus a suitable length of No. 90 track to cover the width of the opening.		

SETS

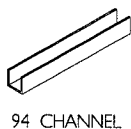
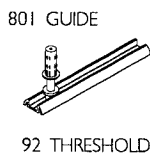
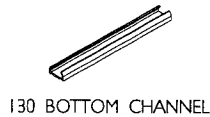
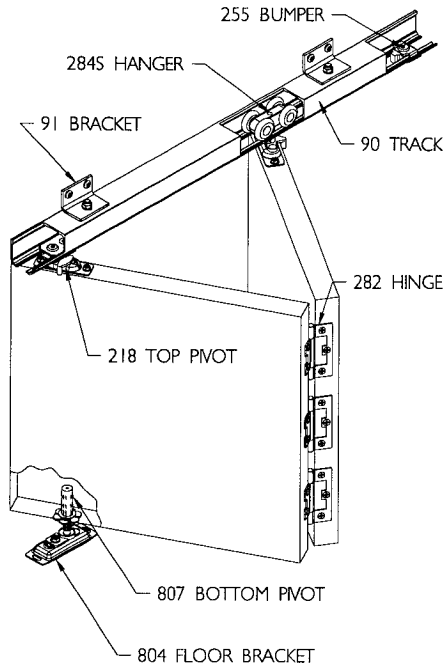
4 door pack – for 4 end or 3.5 centre folding doors	MF4	87.20
6 door pack – for 6 end or 5.5 centre folding doors	MF6	123.70

Multifold 25

DOOR SPECIFICATION

- Maximum leaf weight 25kg • Maximum leaf width 620mm
- Leaf thickness 19mm • Maximum leaf height 2400mm

COMPONENTS



	Ref. No.	Price \$
900mm track aluminium, punched	90-09	14.50
1250mm track aluminium, punched	90-12	19.60
1700mm track aluminium, punched	90-17	26.80
2100mm track aluminium, punched	90-21	32.90
2500mm track aluminium, punched	90-25	39.10
3000mm track aluminium, punched	90-30	46.90
3805mm track aluminium, punched	90-38	59.60
5105mm track aluminium, punched	90-51	78.30
6000mm track aluminium, punched	90-60	93.50
Bracket, face fitted, stainless steel, all fasteners – single	91	3.80
Hanger	284S	20.60
Bumper	255	4.10
Top pivot assembly	218	18.80
Bottom pivot	807	5.00
Floor bracket	804	6.50
Hinge – 65mm SS with screws	282SS	5.00
Guide – nylon roller, use with 94A or 94B channel	106MF/94	13.80
Guide – spring loaded, use with 92 threshold or 130 channel	801	5.00
900mm threshold – aluminium	92-09	11.70
1250mm threshold – aluminium	92-125	16.00
1700mm threshold – aluminium	92-17	21.70
2100mm threshold – aluminium	92-21	26.80
2500mm threshold – aluminium	92-25	32.00
3000mm threshold – aluminium	92-30	38.40
3805mm threshold – aluminium	92-38	48.60
4000mm threshold – aluminium	92-40	51.20
5105mm threshold – aluminium	92-51	65.20
6000mm threshold – aluminium	92-60	76.80
900mm bottom channel, aluminium punched	130-09	11.20
1250mm bottom channel, aluminium punched	130-125	15.50
1700mm bottom channel, aluminium punched	130-17	21.10
2100mm bottom channel, aluminium punched	130-21	26.20
2500mm bottom channel, aluminium punched	130-25	31.00
3000mm bottom channel, aluminium punched	130-30	37.10
3805mm bottom channel, aluminium punched	130-38	47.00
5105mm bottom channel, aluminium punched	130-51	63.20
6000mm bottom channel, aluminium punched	130-60	74.20
2000mm channel – aluminium	94A-20	23.30
3000mm channel – aluminium	94A-30	34.60
4000mm channel – aluminium	94A-40	46.30
6000mm channel – aluminium	94A-60	69.50
2000mm channel – brass	94B-20	66.20
3000mm channel – brass	94B-30	99.50
4000mm channel – brass	94B-40	132.60
6000mm channel – brass	94B-60	198.80
Spanner	320	2.10
Flush pull Satin Stainless	401S	17.70
Flush pull Polished Stainless	401C	17.70
Flush pull Titanium Gold	401B	17.70