

### Clearfold 14

#### DOOR SPECIFICATION

- Maximum Leaf weight 14kg
- Leaf width 300-610mm
- Leaf thickness 25-35mm

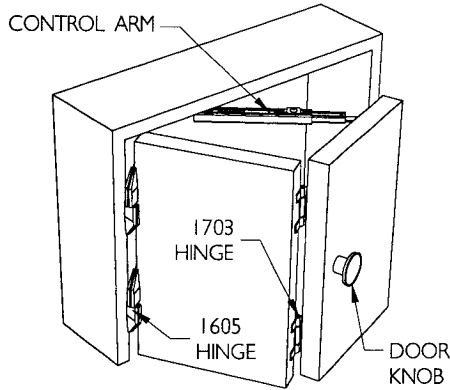
#### STANDARD SETS

Sets are suitable for two leaves and comprise one control arm, three non-mortice lift-off hinges, three shock-absorbing hinges, one door stop, one door knob, one aligner, all screws and fitting instructions.

	Ref. No.	Price \$
605mm to 922mm for two leaves	B180-09	66.30
910mm to 1227mm for two leaves	B180-12	70.30
Two sets of B180-09 can cover an opening 1205mm to 1840mm		
Two sets of B180-12 can cover an opening 1815mm to 2449mm		

#### COMPONENTS

Hinge, non-mortice, lift off, steel in zinc dichromate	1605	8.20
Hinge, shock-absorbing, steel in zinc dichromate	1703	3.20



### Bifold 16

#### DOOR SPECIFICATION

- Maximum leaf weight 16kg
- Minimum leaf thickness 19mm
- Maximum leaf width 620mm
- Maximum leaf height – 2040mm for 19mm thick door  
– 2400mm for 29mm thick door

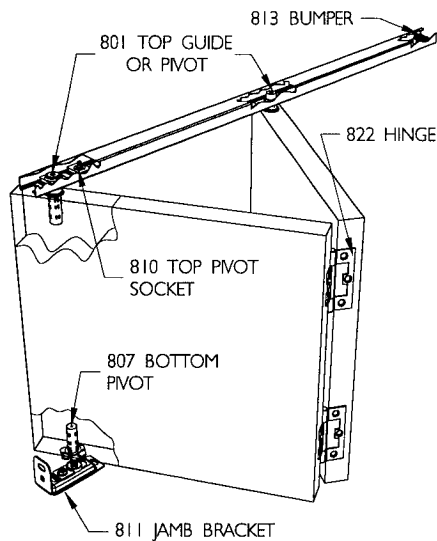
#### STANDARD SETS

Sets for two leaves comprise track, top pivot socket, bumper, top and bottom pivots, jamb bracket, top guide, three No. 822 hinges, spanner, all screws and fitting instructions. Sets for four leaves comprise twice the amount of the above hardware, plus two aligners but only one spanner and fitting instructions.

Opening width	Ref. No.	Price \$
Up to 915mm – for 2 leaves	B32	53.70
916mm – 1250mm – for 2 leaves	B42	56.90
Up to 1830mm – for 2 leaves pivoted to both sides	B64	109.10
1831mm to 2500mm – for 2 leaves pivoted to both sides	B84	116.10

#### COMPONENTS

820mm track, steel in brown finish – with 1x810 & 1x813	825T-08	19.80
915mm track, steel in brown finish – with 1x810 & 1x813	825T-09	19.80
1220mm track, steel in brown finish – with 1x810 & 1x813	825T-12	23.70
1220mm track, steel in brown finish – with 2x810 & 2x813	825T-12D	30.00
1830mm track, steel in brown finish – with 2x810 & 2x813	825T-18	43.10
2440mm track, steel in brown finish – with 2x810 & 2x813	825T-24	50.50
Top pivot and top guide – nylon and steel, zinc dichromate	801	5.00
Floor bracket – nylon and steel, zinc dichromate	804	6.50
Bottom pivot – nylon and steel, zinc dichromate	807	5.00
Aligner – steel, zinc dichromate – pair	808	5.00
Top pivot socket – steel, zinc dichromate	810	5.00
Jamb bracket – nylon, steel zinc dichromate	811	7.40
Spanner	320	2.10
Bumper – rubber and steel, zinc dichromate	813	2.40
Hinge – 65mm non-mortice in electro brass	822	3.00
Hinge – 75mm non-mortice in electro brass	823	4.10
Carpet riser – steel, zinc dichromate	836	5.60
Recessed 'D' handle – steel, bright brass	840P	5.60



804 FLOOR BRACKET



810 TOP PIVOT SOCKET



813 BUMPER



840 RECESSED 'D' HANDLE