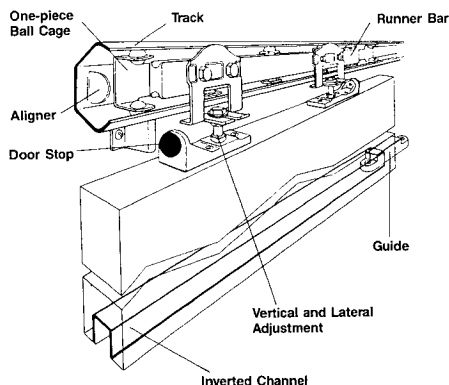


Marathon 90

DOOR SPECIFICATION

- Maximum door weight 90kg
- Door width 750mm to 2000mm
- Minimum door thickness 25mm



STANDARD SETS

Seven sets, each suitable for a single door. Track may be face fitted or be attached to brackets for soffit fitting. Sets comprise top assembly (track, ballcage, runner bar, aligners, hangers), top plates, door stops, guide(s), channel(s), all screws and installation instructions.

Min. and max. door width	Track length	Ref. No.	Price \$
750mm to 900mm	1473mm	S3	145.20
900mm to 1050mm	1700mm	S4	154.30
1050mm to 1200mm	1980mm	S5	173.30
1200mm to 1500mm	2438mm	S6	239.10
1500mm to 1800mm	3048mm	S7	291.10
1800mm to 2000mm	3225mm	S8	319.10
2000mm to 2500mm	4420mm	S9	351.50

BRACKET PACKS – For top fitting track

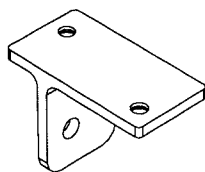
Pack of 5 brackets, suitable for S3 to S5 sets	340/5	31.90
Pack of 7 brackets, suitable for S6 to S8 sets	340/7	44.70

ACCESSORY – Pre-packed

Simultaneous action unit for bi-parting doors on two sets S3. Overall width of both doors 1800mm	23	104.60
---	----	--------

COMPONENTS

Single bracket, aluminium die-casting, with fasteners	340	6.60
Guide, nylon – use with 93 channel	102N/93	1.80
900mm channel, galvanised steel, drilled	93-09	8.20
1050mm channel, galvanised steel, drilled	93-10	9.00
1200mm channel, galvanised steel, drilled	93-12	10.60
1500mm channel, galvanised steel, drilled	93-15	13.40
1800mm channel, galvanised steel, drilled	93-18	15.80
2000mm channel, galvanised steel, drilled	93-20	17.60



340
SOFFIT
BRACKET

ALTERNATIVE GUIDE

Sawcut guide, steel zinc plate, wall mounted, adjustable	102WA	8.70
--	-------	------