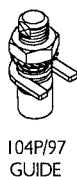
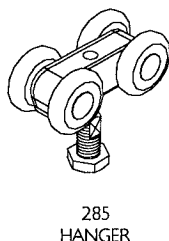
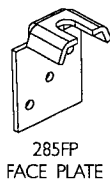
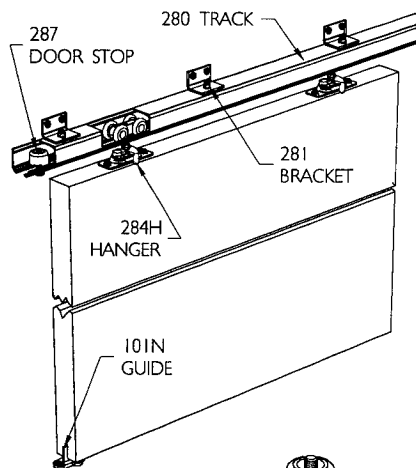


Husky 75

DOOR SPECIFICATION

- Maximum door weight 75kg • Maximum door height 2400mm
- Minimum door thickness – 16mm with face plate 285 hanger, 25mm with top plate 284 hanger



STANDARD PACK – Fittings only

	Ref. No.	Price \$
Fitting pack suitable for door 20mm minimum thickness, pack comprises two 284 Hangers, two door stops, one 101N guide, one spanner, all screws and installation instructions.	H1	63.70

SETS – Fittings, steel track and brackets

Min. and max. door width		Price \$
610mm to 915mm	H3	98.60
915mm to 1220mm	H4	112.70
1220mm to 1525mm	H5	123.00

BRACKET PACKS – For face fitting track

Pack of 5 brackets, with all fasteners	281/5	10.20
Pack of 8 brackets, with all fasteners	281/8	16.30

COMPONENTS

1250mm galvanised steel track (requires 5 brackets)	280-12	15.60
1700mm galvanised steel track (requires 7 brackets)	280-17	21.00
2100mm galvanised steel track (requires 8 brackets)	280-21	26.00
2500mm galvanised steel track (requires 10 brackets)	280-25	30.80
3000mm galvanised steel track (requires 12 brackets)	280-30	37.00
4000mm galvanised steel track (requires 15 brackets)	280-40	49.40
1250mm aluminium track	90-12	19.60
1700mm aluminium track	90-17	26.80
2100mm aluminium track	90-21	32.90
2500mm aluminium track	90-25	39.10
3000mm aluminium track	90-30	46.90
3805mm aluminium track	90-38	59.60
5105mm aluminium track	90-51	78.30
6000mm aluminium track	90-60	93.50
Bracket, single, steel zinc plated, all fasteners	281	2.00
Bracket, single, stainless steel, all fasteners	91	3.80
Hanger with 20mm wide top plate	284H	21.50
Hanger face plate – use with 285 hanger	285FP	3.30
Hanger	285	20.50
Door stop	287	4.10
Spanner	320	2.10

ALTERNATIVE GUIDES

Guide with nylon roller – use with 94A, 94B, 94P channel	106E/94	14.50
Guide for steel framed doors – used with 100 steel channel	104P/97	21.80