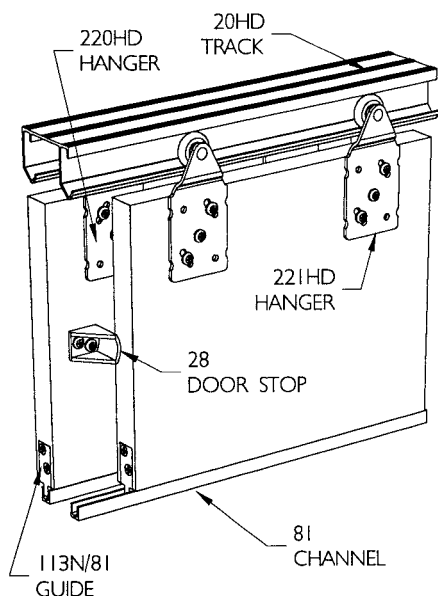


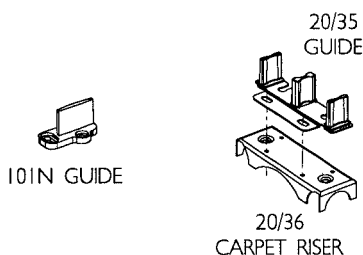
### Double Top 45

#### DOOR SPECIFICATION

- Maximum door weight 45kg
- Door thickness 16mm-40mm



#### ALTERNATIVE GUIDE SYSTEMS



### STANDARD SETS AND PACKS

Two and three door fitting packs comprise hangers, guides, door stop(s), all screws and installation instructions.

	Ref. No.	Price \$
Two door pack of fittings for use with 20HD track	2WHD	40.70
Three door pack of fittings for use with 20HD track	3WHD	63.30

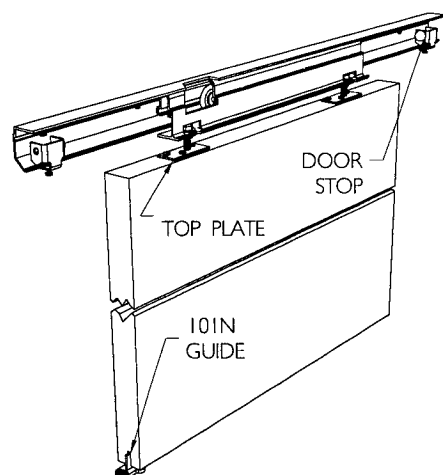
### COMPONENTS

1200mm track, aluminium, drilled	20HD-12	40.60
1500mm track, aluminium, drilled	20HD-15	51.50
1800mm track, aluminium, drilled	20HD-18	61.50
2400mm track, aluminium, drilled	20HD-24	80.70
3000mm track, aluminium, drilled	20HD-30	102.80
Hanger with plate cranked away from ballrace wheel	220HD	7.70
Hanger with plate cranked towards ballrace wheel	221HD	7.70
Hanger with reversible plate	222HD	8.70
Door stop, nylon, including screws	28N	1.80
Sawcut guide, nylon, including screws	101N	2.10
Surface guide – suitable for doors 20mm or 35mm thick	20/35	7.40
Carpet riser – for 20/35 surface guide	20/36	5.60
Surface guide – suitable for any door thickness	24/25N	5.90
1200mm channel, aluminium, drilled and countersunk	81-12	11.10
1500mm channel, aluminium, drilled and countersunk	81-15	14.00
1800mm channel, aluminium, drilled and countersunk	81-18	16.50
2400mm channel, aluminium, drilled and countersunk	81-24	22.10
3600mm channel, aluminium, drilled and countersunk	81-36	33.30
Guide, nylon – for use with 81 channel (pair)	113N/81	2.40

### Twinwheel 45

#### DOOR SPECIFICATION

- Maximum door weight 45kg
- Door width 620mm-1520mm
- Minimum door thickness 25mm



### STANDARD SETS

Three sets suitable for a single door and one set suitable for bi-parting doors. Track may be face or soffit fitted.

Min. and max. door width	Track Length	Suitable for	Ref. No.	Price \$
620mm to 920mm	1630mm	single door	TW3	83.70
920mm to 1220mm	2230mm	single door	TW4	104.40
1220mm to 1520mm	2830mm	single door	TW5	125.40
620mm to 870mm	3320mm	bi-parting doors	TW3D	159.40

### COMPONENTS

Sawcut guide, nylon, floor mounted	101N	2.10
Sawcut guide, steel zinc plate, wall mounted	102WA	8.70
Surface guide, nylon, wall mounted	103WA	10.60