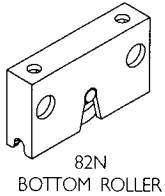
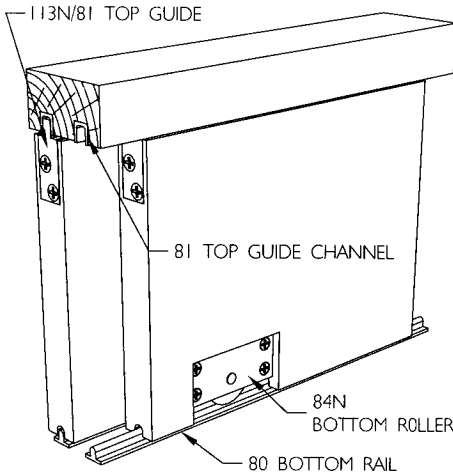




Timberoll 25

DOOR SPECIFICATION

- Maximum door weight 25kg
- Maximum door width 900mm
- Minimum door thickness 16mm



STANDARD SETS

Standard sets are available for bi-passing or bi-parting doors. Sets comprise two top guide channels, two bottom rails, four top guides, four No. 84N bottom rollers, all screws and installation instructions.

Opening width	Ref. No.	Price \$
1200mm for 2 doors	TR4	79.10
1500mm for 2 doors	TR5	89.80
1800mm for 2 doors	TR6	98.90

COMPONENTS

1200mm bottom rail – aluminium – drilled & countersunk	80-12	11.30
1500mm bottom rail – aluminium – drilled & countersunk	80-15	14.00
1800mm bottom rail – aluminium – drilled & countersunk	80-18	16.90
2400mm bottom rail – aluminium – drilled & countersunk	80-24	22.40
3600mm bottom rail – aluminium – drilled & countersunk	80-36	33.60
1200mm top guide channel – aluminium – drilled & countersunk	81-12	11.10
1500mm top guide channel – aluminium – drilled & countersunk	81-15	14.00
1800mm top guide channel – aluminium – drilled & countersunk	81-18	16.50
2400mm top guide channel – aluminium – drilled & countersunk	81-24	22.10
3600mm top guide channel – aluminium – drilled & countersunk	81-36	33.30
Bottom roller – mortice or face fitted – Pair	82N	12.60
Bottom roller – face fitted-as supplied in sets – Pair	84N	15.40
Top guide – nylon – as supplied in sets – Pair	113N/81	2.40
Door stop – nylon	28N	1.80

Timberoll

55

170

270

Maximum door weight	55kg	170kg	270kg
Maximum door height	2600mm	2600mm	3300mm
Minimum door thickness	25mm	35mm	44mm

TOP GUIDE TEE – 25x25x3

	Ref. No.	Price \$	Ref. No.	Price \$	Ref. No.	Price \$
2000mm aluminium	96TA-20	36.20	96TA-20	36.20		
3000mm aluminium	96TA-30	54.40	96TA-30	54.40		
4000mm aluminium	96TA-40	72.50	96TA-40	72.50		
6500mm aluminium	96TA-65	117.90	96TA-65	117.90		

TOP GUIDE CHANNELS

2000mm aluminium	94A-20	23.30	94A-20	23.30		
3000mm aluminium	94A-30	34.60	94A-30	34.60		
4000mm aluminium	94A-40	46.30	94A-40	46.30		
6000mm aluminium	94A-60	69.50	94A-60	69.50		
2000mm brass	94B-20	66.20	94B-20	66.20		
3000mm brass	94B-30	99.50	94B-30	99.50		
4000mm brass	94B-40	132.60	94B-40	132.60		
6000mm brass	94B-60	198.80	94B-60	198.80		
2000mm aluminium – anodised			900A-A20	52.70	900A-A20	52.70
3000mm aluminium – anodised			900A-A30	78.90	900A-A30	78.90
4000mm aluminium – anodised			900A-A40	105.30	900A-A40	105.30
6000mm aluminium – anodised			900A-A60	158.00	900A-A60	158.00



96TA
TOP GUIDE



900A GUIDE CHANNEL



94 GUIDE CHANNEL