



### Glassroll 25

#### DOOR SPECIFICATION

- Maximum weight 25kg each panel
- Maximum panel area 1.4m sq
- Door thickness 5mm or 6mm

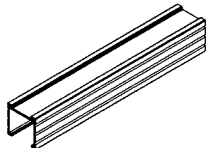
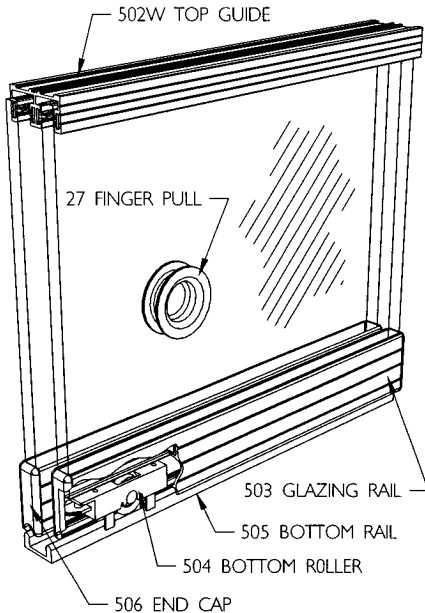
#### STANDARD SETS

Standard sets are available for bi-passing 6mm thick panels. Sets comprised 502W top guide, two glazing rails with 509 glazing strip, 505 bottom rail, four bottom rollers, four end caps, two finger pulls, all screws and installation instructions.

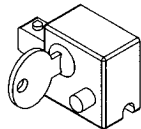
Opening width	Ref. No.	Price \$
1200mm for 2 panels	GR4	150.80
1500mm for 2 panels	GR5	169.90
1800mm for 2 panels	GR6	189.10

#### COMPONENTS

3600mm bottom rail – single – mill finish aluminium	80-36	33.60
3600mm bottom rail – single – natural anodised aluminium	80-A36	40.70
3600mm top guide – single – mill finish aluminium	501-M36	36.60
3600mm top guide – single – natural anodised aluminium	501-A36	46.40
3600mm top guide – double with woolpile – mill finish aluminium	502W-M36	103.40
3600mm top guide – double with woolpile – n. anodised aluminium	502W-A36	121.30
3720mm glazing rail – mill finish aluminium	503-M37	49.20
3720mm glazing rail – natural anodised aluminium	503-A37	67.00
3600mm bottom rail – double – mill finish aluminium	505-M36	28.50
3600mm bottom rail – double – natural anodised aluminium	505-A36	38.20
Bottom roller, nylon wheel with precision bearing	504	11.90
End cap	506	5.10
Cylinder lock, 2 keys, left hand – keyed alike	507L-A	52.20
Cylinder lock, 2 keys, left hand – keyed to differ	507L-D	52.20
Cylinder lock, 2 keys, right hand – keyed alike	507R-A	52.20
Cylinder lock, 2 keys, right hand – keyed to differ	507R-D	52.20
Glass Door Lock	510	48.20
Glazing strip for 6mm panel – made of clear P.V.C.	509	7.60
Finger pull to fit 22mm dia. Hole in panel – s.c. on brass	27	16.20



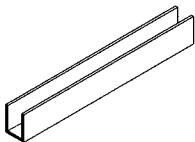
501 TOP GUIDE



507 CYLINDER LOCK



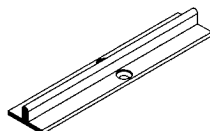
510 GLASS DOOR LOCK



509 GLAZING STRIP



27 FINGER PULL



80 BOTTOM RAIL