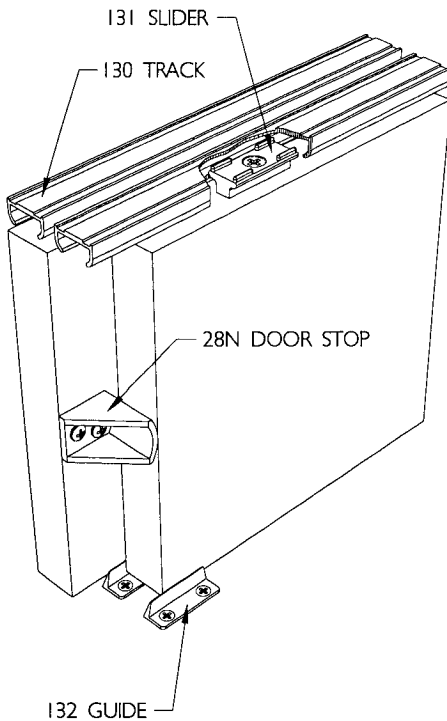


Slipper 9

DOOR SPECIFICATION

- Maximum weight 9kg each door
- Maximum door width 1200mm
- Minimum door thickness 16mm



STANDARD SETS AND PACK

Standard sets are available for bi-passing or bi-parting doors. Sets comprise 2 tracks, 4 sliders, 3 guides, 1 door stop, all screws and installation instructions for two doors.

Opening width	Max. door width	Hardware for	Ref. No.	Price \$
900mm	456mm	2 doors	SS3	32.40
1200mm	606mm	2 doors	SS4	39.80
1500mm	756mm	2 doors	SS5	47.10
1800mm	906mm	2 doors	SS6	54.40
2400mm	1206mm	2 doors	SS8	69.00

Note: Order additional door stop if doors bi-parting.

Additional door pack available for adding one more door on above sets.

Pack comprises: 2 sliders, 3 guides, 1 door stop and all screws	SS1	5.90
---	-----	------

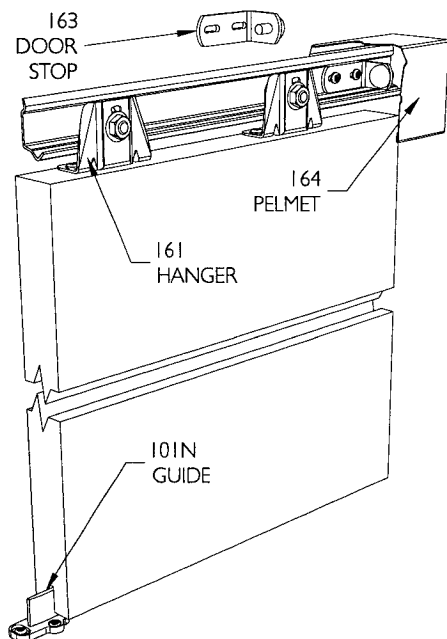
COMPONENTS

900mm track, aluminium, drilled and countersunk	I30-09	11.20
1200mm track, aluminium, drilled and countersunk	I30-12	14.90
1500mm track, aluminium, drilled and countersunk	I30-15	18.50
1800mm track, aluminium, drilled and countersunk	I30-18	22.20
2400mm track, aluminium, drilled and countersunk	I30-24	29.80
3600mm track, aluminium, drilled and countersunk	I30-36	44.60
Sliders, nylon, including screw	I31	1.60
Guide, nylon, including screws	I32	1.60
Door stop, nylon, including screws	28N	1.80

Sprint 30

DOOR SPECIFICATION

- Maximum door weight 30kg
- Maximum door width 1500mm
- Minimum door thickness 25mm



STANDARD SETS AND PACKS

Standard sets are available for sliding one door. Sets comprise track, two hangers, two door stops, sawcut guide, all screws and installation instructions.

Maximum door width	Track length	Ref. No.	Price \$
900mm	1600mm	SP3	22.00
1500mm	2440mm	SP5	37.70

Fitting pack available for use with SP5 set for bi-parting doors each 720mm max. width

	SP1	20.90
--	-----	-------

PELMET AND END CAPS

Pelmet, in pearl white on zinc coated steel, hooks onto track. Supplied with end caps.

1800mm long for door up to 900mm wide	I64/I65-18	85.80
3050mm long for door up to 1500mm wide or for bi parting doors, each 720mm max. width	I64/I65-30	190.10

COMPONENTS

Hanger with ballrace nylon wheel	I61	9.80
Ballrace nylon wheel, washer and nut	I61BR	5.50
Door stop	I63	3.30
Pelmet end caps	I65	4.60
Sawcut guide, nylon, floor mounted	I01N	2.10
Sawcut guide, steel zinc plate, wall mounted	I02WA	8.70
Surface guide, nylon, wall mounted	I03WA	10.60