

APPLICATION

- ▶ Widely used in lighter commercial and industrial applications.
- ▶ To cover any width of opening, any number of doors can be used.
- ▶ To accommodate different building designs, doors can slide to one or both sides.
- ▶ Hinged door for easy access may be incorporated into a sliding door.
- ▶ Where doors are fitted externally, a canopy is recommended.

DOOR SPECIFICATION

Track System: Single Run 200

For Individual Doors:

Max Door Height 3000mm

Max Door Weight Nylon Tyre Hanger 200kg

Max Door Weight Steel Tyre Hanger 200kg

Door Thickness 35-48mm

For ease of operation it is recommended that the door width should not exceed 75% of door height.

Timber doors for interior use can be of flush construction or glazed.

Timber doors for industrial applications should be framed, ledged and braced.

Metal doors should be constructed of box section, channel or angle framing, well braced and clad with flat or corrugated sheets.

HARDWARE SPECIFICATION

Track: 290 (2mm thick) 290
Material Galvanised steel Stainless Steel
Standard lengths 2000mm, 3000mm, 4000mm and 6000mm

Brackets:

Face fitted Aluminium Alloy 1A/290 -
Face fitted Aluminium Alloy 9A/290 -
Soffit fitted Pressed Steel 2S/290 -
Soffit fitted Aluminium Alloy 3A/290 -
Soffit fitted Aluminium Alloy 4A/290 -
Face fitted Stainless Steel, angle - ISS/250
Fit at 900mm maximum centres.

Bracket End Clips:

For aluminium brackets A/290EC -
For pressed steel bracket S/290EC -

Hangers (2 per door):

Hangers

Timber Doors – apron fitting 53KN or 53KS -
Timber Doors – angle fitting 52KN or 52KS 52SS/KN
Timber Doors – plate fitting 57KN or 57KS 57SS/KN
Metal Doors – angle frame 56KN or 56KS 56SS/KN
Metal Doors – box frame 56KLN or 56KLS 56SS/KLN
Metal Doors – plate fitting 57KN or 57KS 57SS/KN

All hangers suffixed 'N' have nylon tyre wheels and are fitted with ball race bearings.

Nylon tyre wheel hangers should not be used on installations involving temperatures exceeding 80°C.

All hangers suffixed 'S' have solid steel wheels and are fitted with ball race bearings.

Guides:

Timber Doors – face fitting 105R/97 -
Timber Doors – plate fitting 106RB/94 106RB/94
Metal Doors – angle frame 104P/97 -
Metal Doors – box frame 104PL/97 -
Multiple Doors 102W/94

Guides with suffix 97 are used with channel 100.

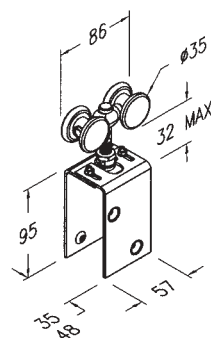
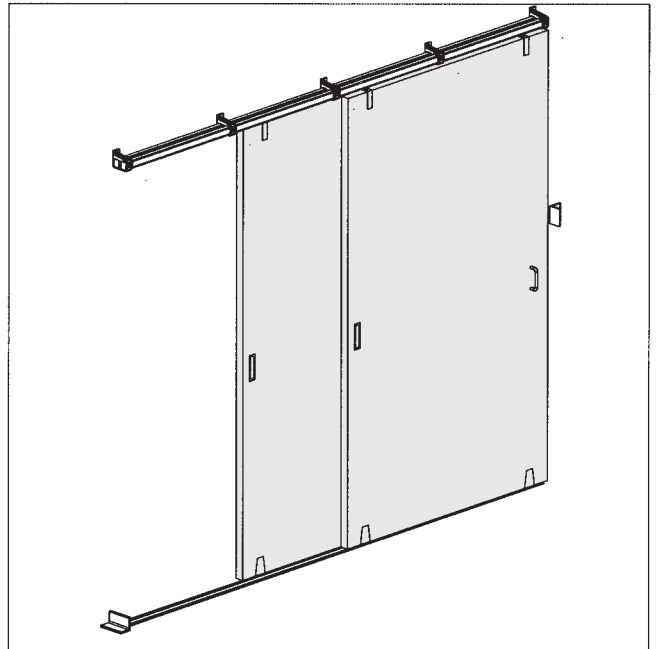
All steel parts are zinc plated.

Channels: 100 Galvanised steel
94A Aluminium
94B Brass

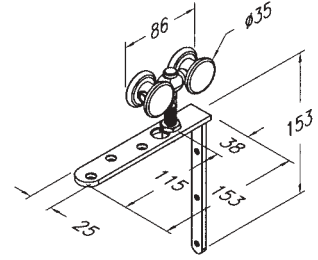
Standard lengths

100 2000mm, 3000mm and 4000mm
94A and 94B 2000mm, 3000mm, 4000mm and 6000mm
100 pre-drilled for lugging into concrete floor and for use with drainage funnel.
94A and 94B channels drilled and countersunk for screwing to timber floor or attaching to lugs 94L when installing in concrete floor.

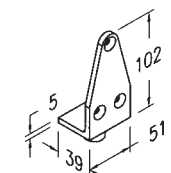
Accessories: Bow Handles, Flush Pulls, Surface Bolts, Flush Bolts and Door Stops.



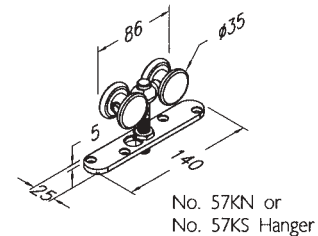
No. 53KN or 53KS Hanger



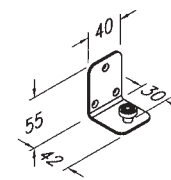
No. 52KN or 52KS Hanger



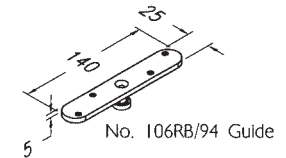
No. 105R/97 Guide



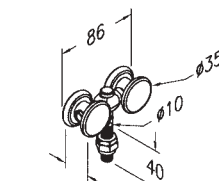
No. 57KN or No. 57KS Hanger



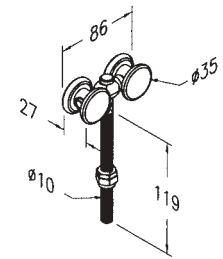
No. 102W/94 Guide



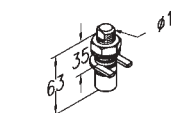
No. 106RB/94 Guide



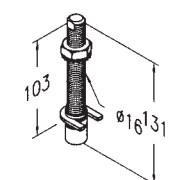
No. 56KN or No. 56KS Hanger



No. 56KLN or No. 56KLS Hanger



No. 104P/97 Guide



No. 104PL/97 Guide

Single Run 200

FOR TOP HUNG STRAIGHT SLIDING DOORS, MAX. 250kg EACH

HENDERSON®

SLIDING & FOLDING DOOR HARDWARE

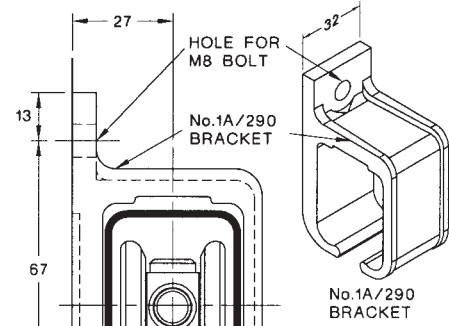
AUSTRALIA'S WIDEST RANGE

STANDARD TRACK LENGTH	2000	3000	4000	6000
NORMAL BRACKET CENTRES	650 - 700	750	800	750

FOR HEAVY DOORS, OR THOSE SUBJECTED TO ABNORMAL USE, BRACKET CENTRES SHOULD BE REDUCED TO 500

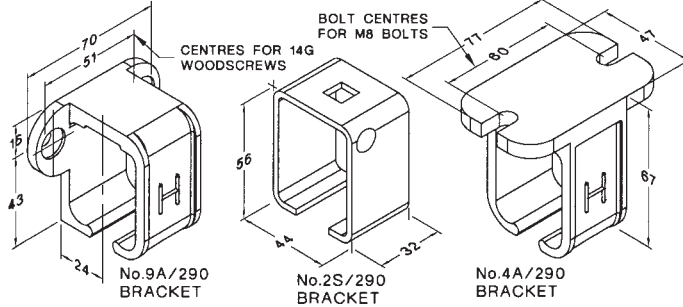
CENTRE LINE OF CLOSED END BRACKET 1A/290

CENTRE 'E' IS BALANCE OF TRACK LENGTH LESS 11 WITH ALUMINIUM BRACKETS



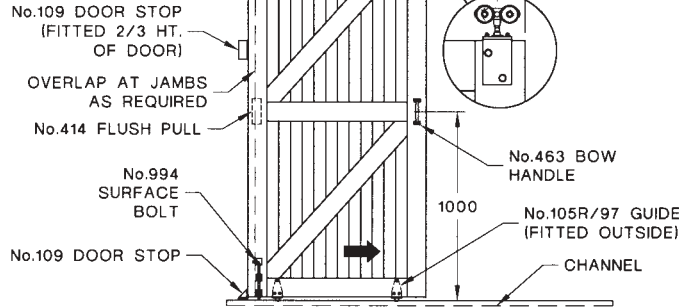
No. 1A/290 BRACKET

ALTERNATIVE BRACKETS

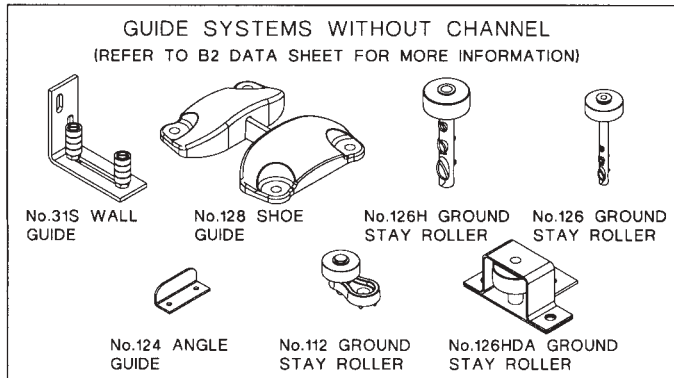
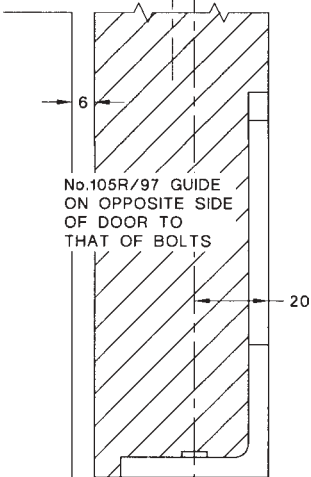


DRILL FOR PENDANT

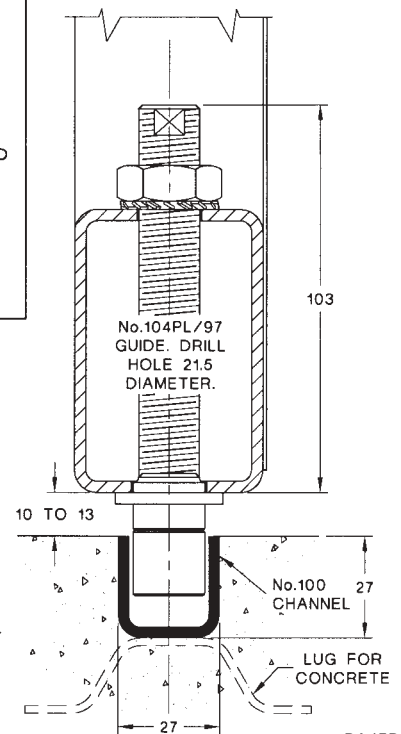
FRONT VIEW DOOR SLIDING INSIDE



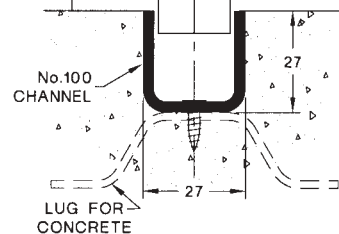
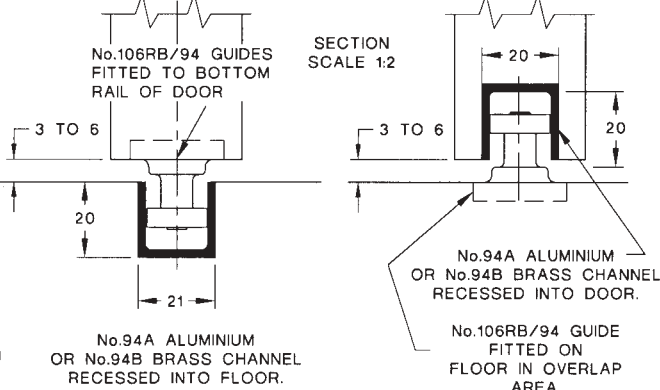
SECTION SCALE 1:2



SECTION SCALE 1:2



GUIDE SYSTEMS WITH CHANNEL



B145B

HENDERSON RMD

Door Hardware Division of
RMD PRESS CO. PTY LTD.
ACN 004 313 937

© COPYRIGHT HENDERSON RMD

© HENDERSON IS A REGISTERED TRADEMARK OF PC HENDERSON LTD (UK)

