

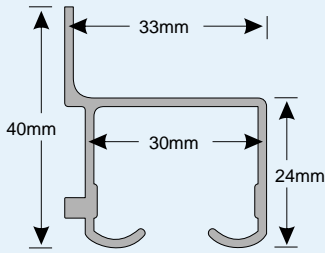
TRIUMPH Sliding Door Track System

Australian Patent 564862

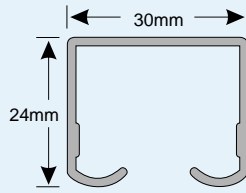
68kg Per Door

FEATURES:

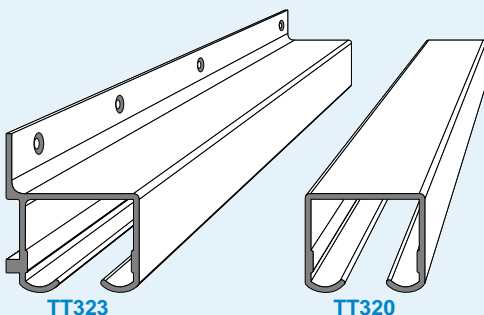
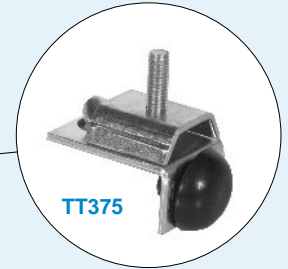
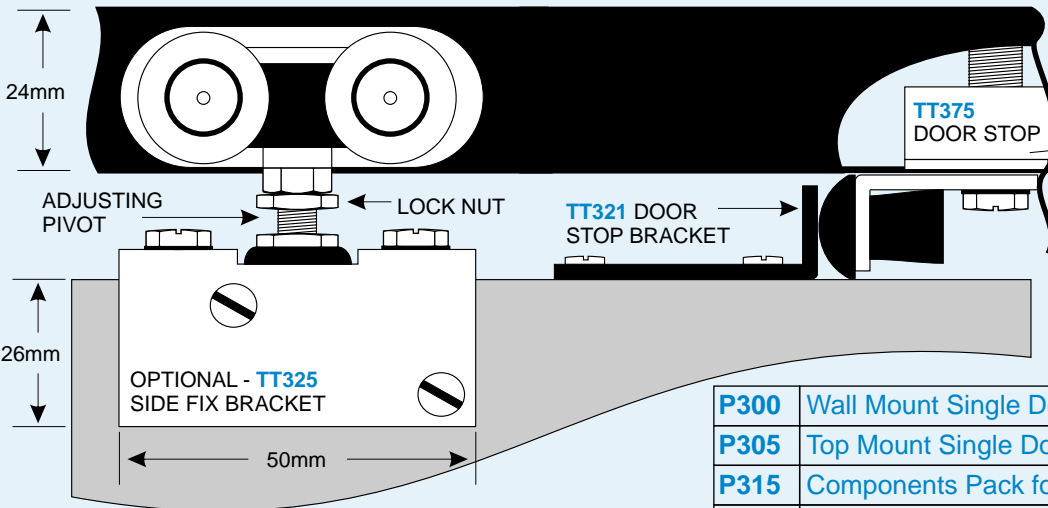
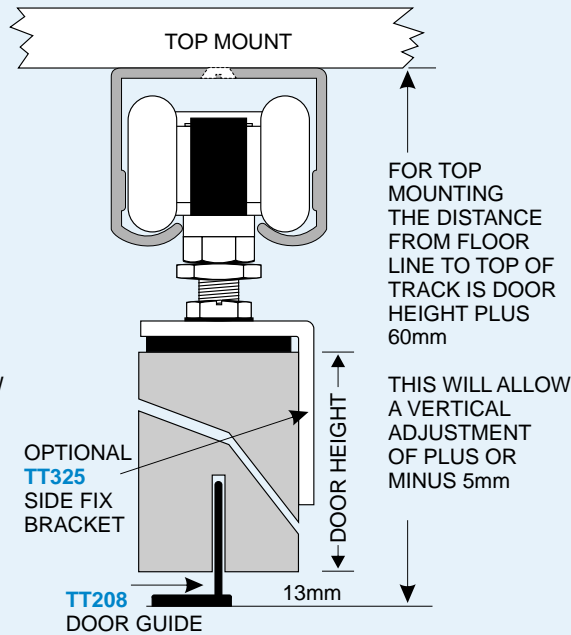
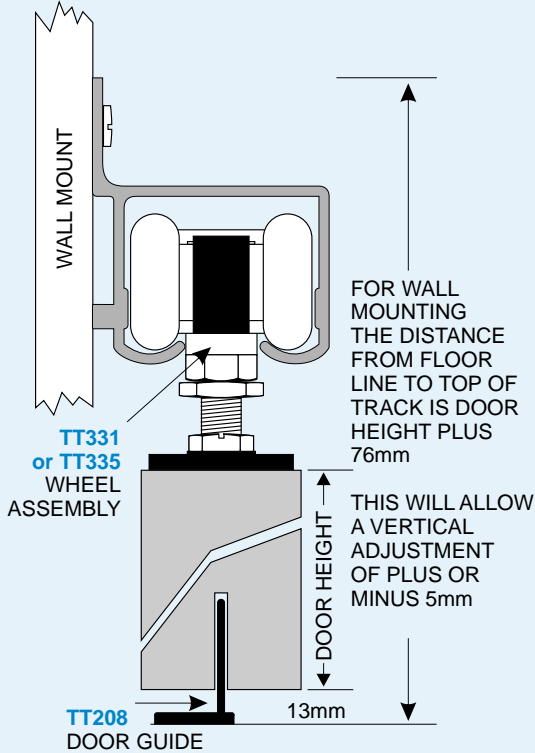
- *Maximum load 68kg per door
- *Wrap around track
- *Option of wall mount or top mount track
- *Nylon tyred, ball bearing 4 wheel carriages
- lubricated for smooth & quiet operation
- *Optional **TT335** Stainless Steel wheel assembly
- *Nylon door guide - slimline & unobtrusive
- *Anti-bounce end stop
- *Clip on pelmet available
- *Suits door thickness 22mm and above



TT323 Wall Mount Track



TT320 Top Mount Track



Triumph®
SLIDING DOOR TRACK SYSTEM

P300	Wall Mount Single Door Set - 820mm & 1220mm
P305	Top Mount Single Door Set - 820mm & 1220mm
P315	Components Pack for a single door
P375	Pack of 2 x TT375 Door Stops and 2 x TT321 Door Stop Brackets and screws
S208	Pack of 1 TT208 Standard Duty Door Guide
S331	Pack of 2 TT331 Wheel Assemblies
P677	Aluminium Pelmet Set - 1830 and 3660mm White
P679	Colorbond™ Pelmet Set - 1800 & 2400mm White
TT320	Top Mount Track - 2000, 2500, 3400 & 4500mm
TT323	Wall Mount Track - 2000, 2500, 3400 & 4500mm
TT335	Optional Mariner Stainless Steel Wheel Assembly