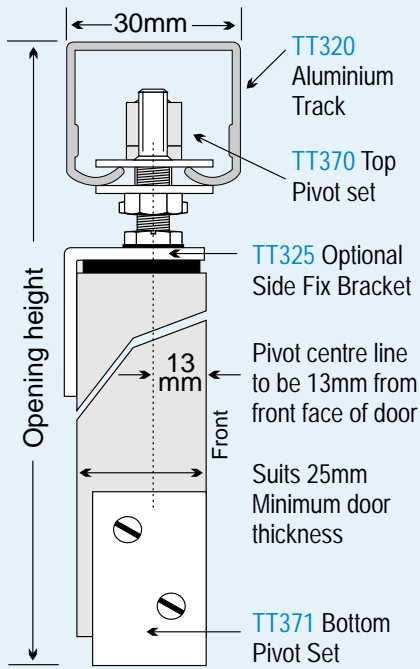


TRIUMPH Folding Door Track System

Up to 25kg Per Leaf



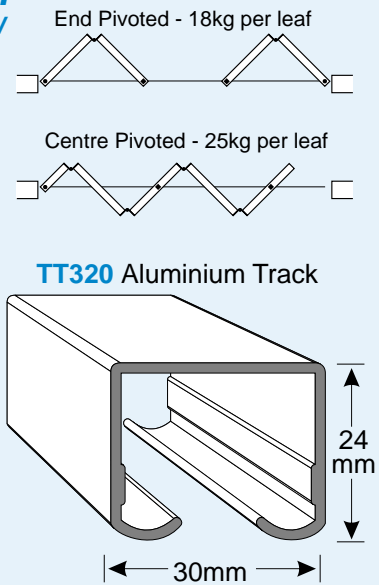
Maximum 6 Leaves in any single run

Recommended Maximum leaf size 2140mmH x 600mmW

Bifold Door Systems are recommended to be installed in pairs of leaves - end pivoted. Should a centre pivot be required, the first leaf is to be half sized + 30mm.

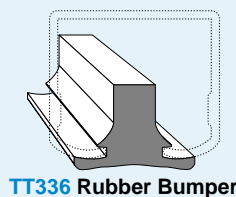
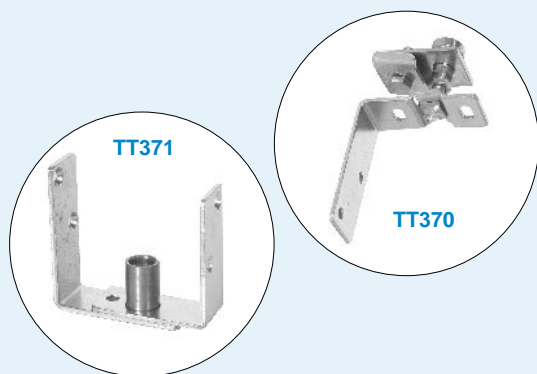
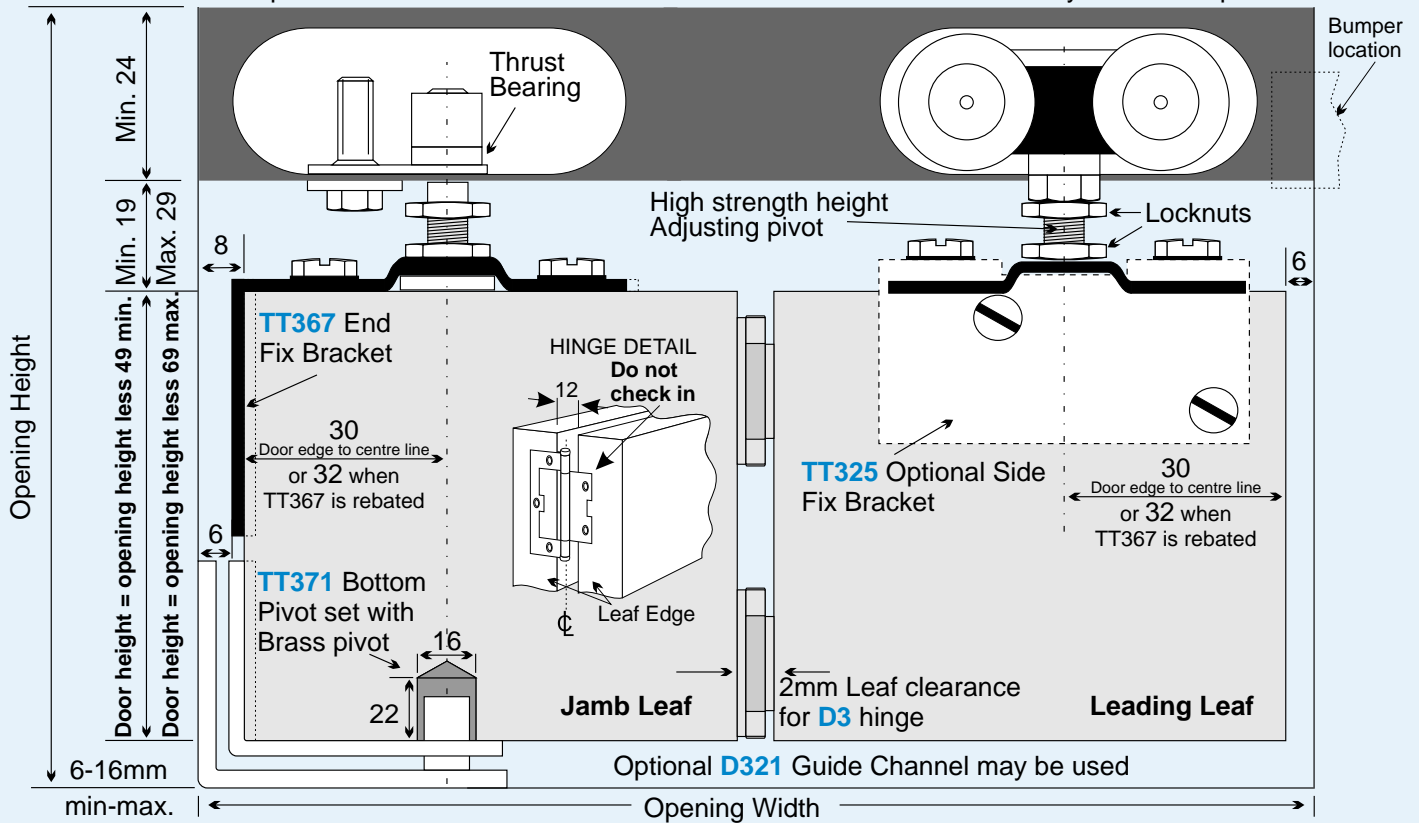
FEATURES:

- *End pivoting - up to 18kg per leaf
- *Centre pivoting - up to 25kg per leaf
- *Wheel assembly has four nylon wheels with lubricated ball bearings - quiet and smooth
- ***Stainless Steel options:** TT335 Wheel assembly, top & bottom pivot sets and D3 hinges
- *Thrust bearing on jamb door pivot ensures ease of operation
- *High strength height adjusting pivot
- *Wrap around aluminium track
- *Rubber Bumper to help hold doors closed
- *Brass pivot for long life and ease of adjustment
- *Standard with Brass hinges - optional hinge colours of Chrome & Powder Coat Silver available to order
- *Suits door thicknesses 25mm and above



TT370 Top Pivot Set includes End Fix Bracket

TT331 Wheel Assembly includes Top Fix Bracket



Triumph®
Folding Door
Track System

P360	2 Leaf Packaged Set - 915 & 1220mm
P360	4 Leaf Packaged Set - 1830mm (one way)
P370	Starter Pack - First 2 leaves
P372	Add-On Pack - Additional 2 leaves
S331	Pack of 2 TT331 Wheel assemblies
S325	Pack of 2 TT325 Side fix brackets
TT320	Alum. track - 2000mm, 2500mm, 3400mm and 4500mm & 4500mm Clear Anodised
TT336	Rubber Bumper 26mm long
D319	Optional Door Aligners for butting doors