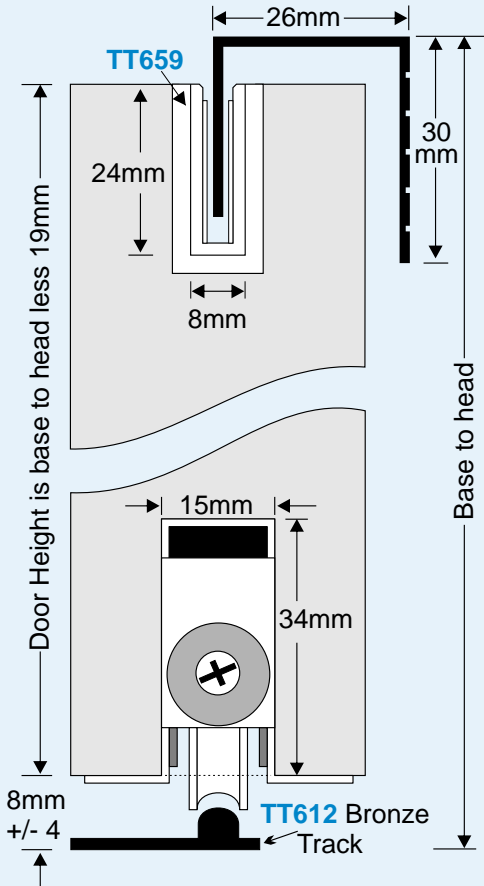


TIMBERLINE Sliding Door Track System

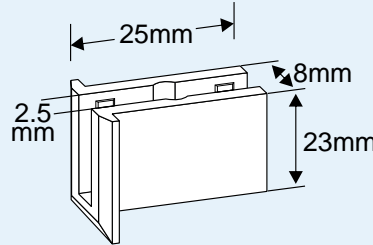
Patio Doors - 200kg Per Door

Top Groove Joinery Detail using **TT658** Pelmet Guide and **TT659** Pelmet Guide Block - 24mm D x 8mm T

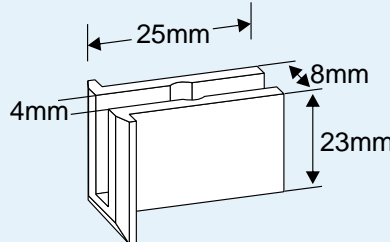


FEATURES:

- *Maximum load - 200kg per door
- *Heavy Duty height adjustable sheave with Manganese Bronze tyre & 316 Stainless Steel housing
- *Suitable for external use - especially suited to Patio doors
- *Manganese Bronze Track
- *Optional Head Guide Block - for noise reduction
- *Alternative Pelmet Guide and Pelmet Guide Block to aid with weatherproofing

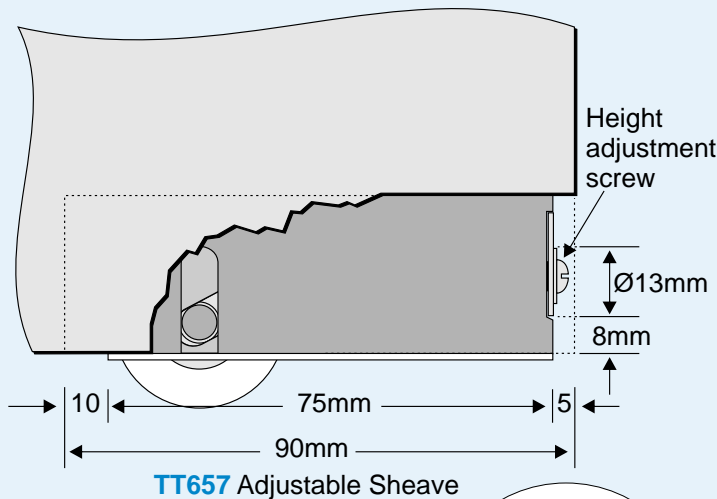
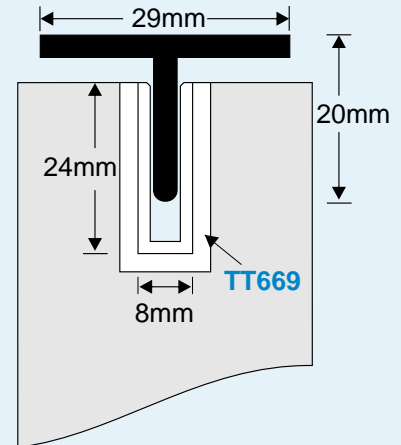


TT659 Pelmet Guide Block - Nylon. For use with **TT658**

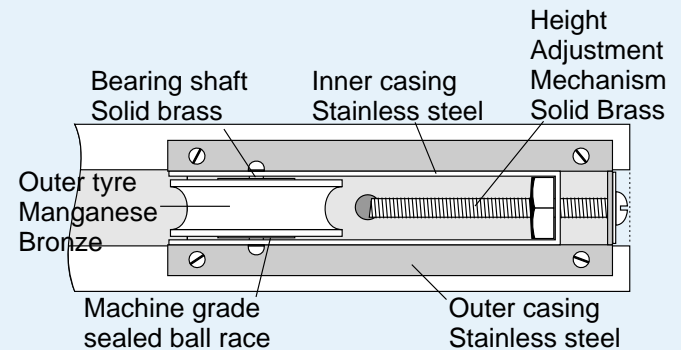


TT669 Head Guide Block Nylon. For use with **TT208A**

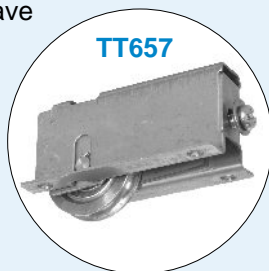
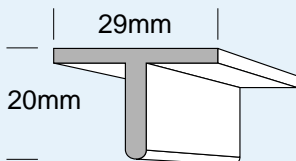
Top groove joinery detail using **TT208A** Head Guide & **TT669** Head Guide Block - 24mm D x 8mm T



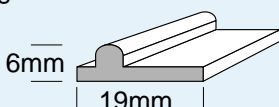
TT657 Adjustable Sheave



TT208A Head Guide



TT612 Manganese Bronze Track



P657	Pack of 2 TT657 Sheaves with screws
TT657	Adjustable Sheave with Bronze Wheel
TT612	Manganese Bronze Track - 2500, 3000, 3700, 4500 & 6000mm undrilled 4500 & 6000mm pre-drilled and countersunk
TT208A	Aluminium Head Guide - 2500, 3000, 3700, 4500 & 6000mm Mill undrilled 4500 & 6000mm Mill pre-drilled & countersunk
TT658	Alum. Pelmet Guide - 2500, 4500 & 6000mm Bronze Anodised & Clear Anodised undrilled 4500 & 6000mm Bronze Anodised & Clear Anodised pre-drilled
TT659	Pelmet Guide Block
TT669	Head Guide Block