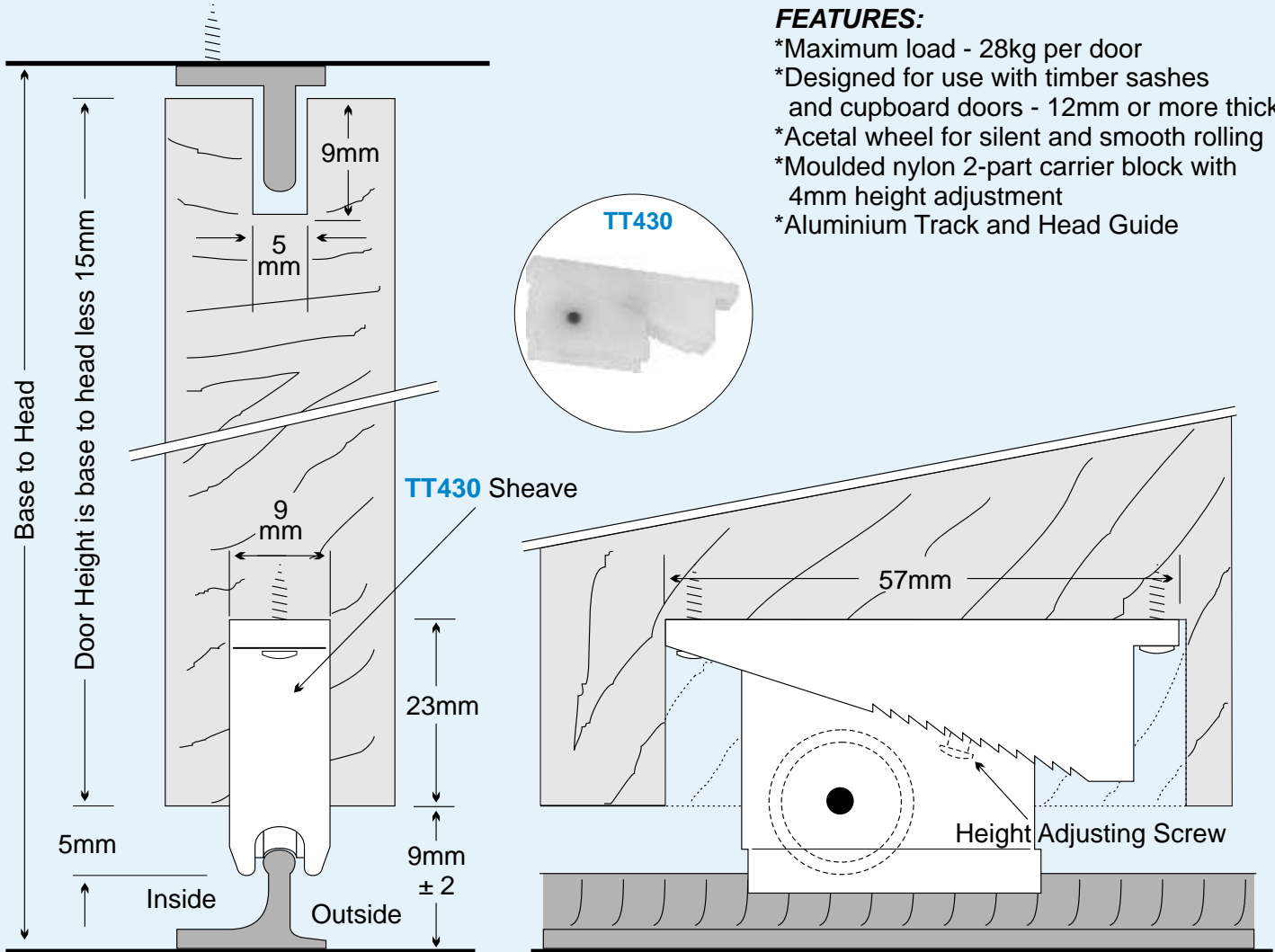


JIFFY ADJUSTER Door Track System

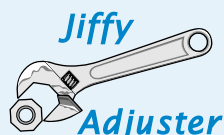
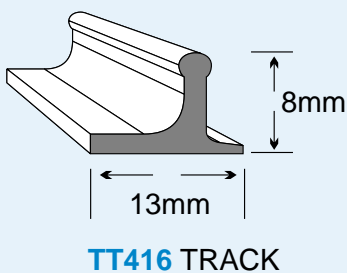
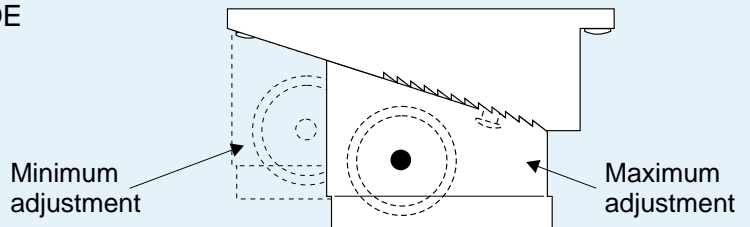
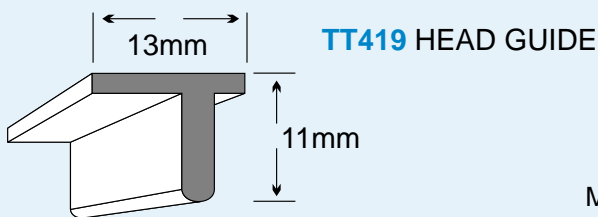
Sliding Cupboard Doors - 28kg Per Door

FEATURES:

- *Maximum load - 28kg per door
- *Designed for use with timber sashes and cupboard doors - 12mm or more thick
- *Acetal wheel for silent and smooth rolling
- *Moulded nylon 2-part carrier block with 4mm height adjustment
- *Aluminium Track and Head Guide



Where 2 or more doors are required, the door thickness determines the track spacing.



P431	Pack of 4 TT430 Sheaves with screws
TT430	Adjustable Sheave Block with Nylon Concave Wheel
TT416	Aluminium Track - 2000, 2500, 3000 & 4500mm and 4500mm in Clear Anodised & Bronze Anodised
TT419	Aluminium Headguide - 2000, 2500, 3000 & 4500mm and 4500mm in Clear Anodised & Bronze Anodised