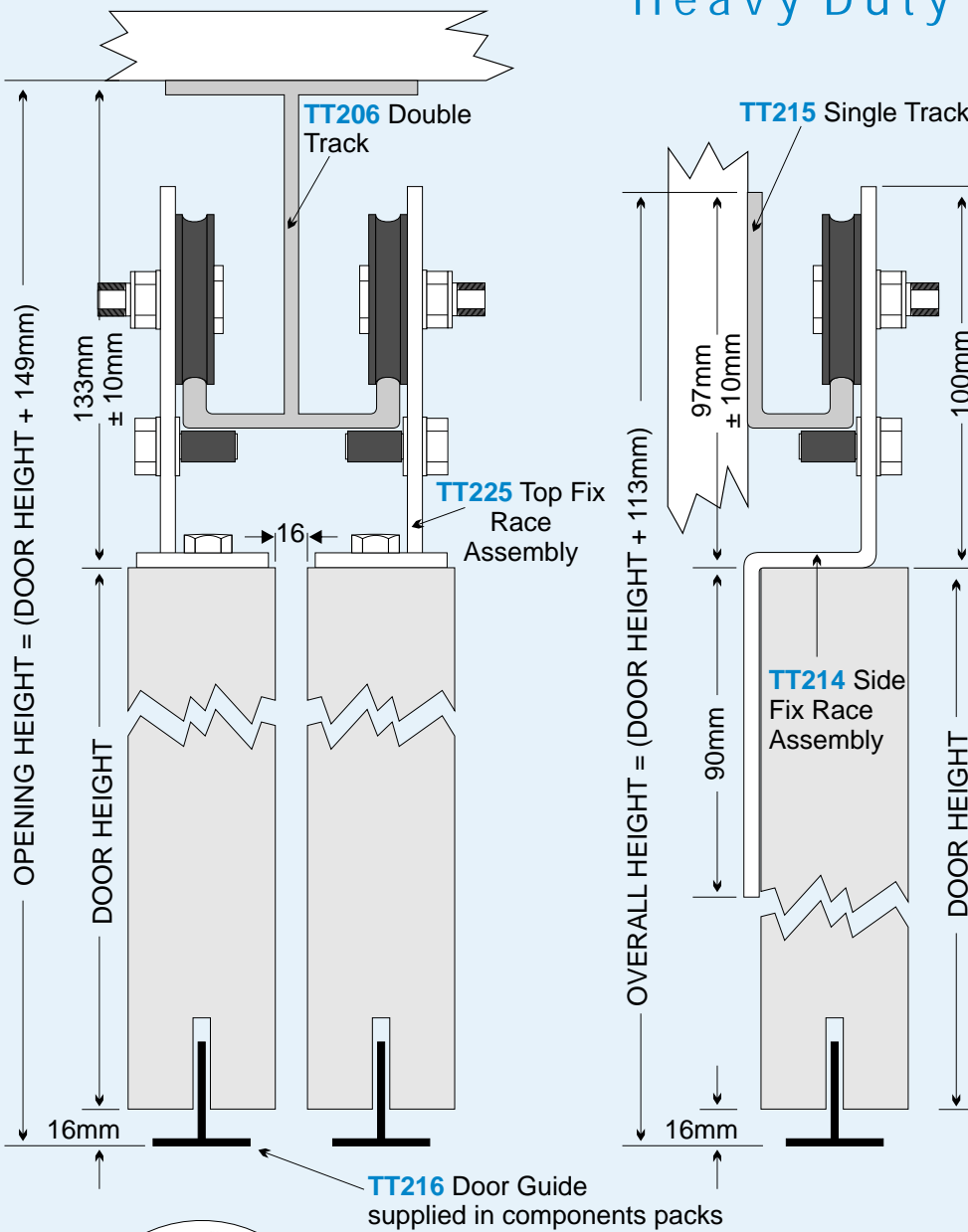


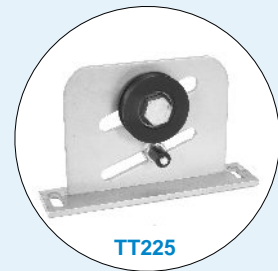
GLIDEMASTER Sliding Door Track System

Heavy Duty - 272kg Per Door

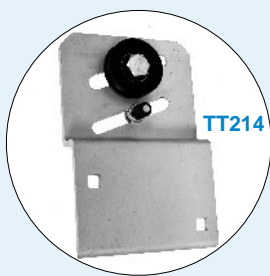


FEATURES:

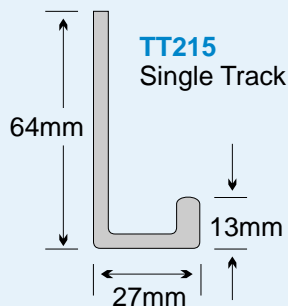
- *Maximum load 272kg per door
- *Aluminium single and double track
- *High Strength Ertalon Wheel with precision ball bearing race
- *Suitable for Exposed Conditions from -30°C to 120°C
- *Aluminium Race Bracket
- *Adjustable Anti-Lift Guide Roller
- *Rack and Pinion Height Adjustment
- *Architecturally appealing - ideal where an exposed mechanical look is desired
- *Suits door thickness 38mm & above



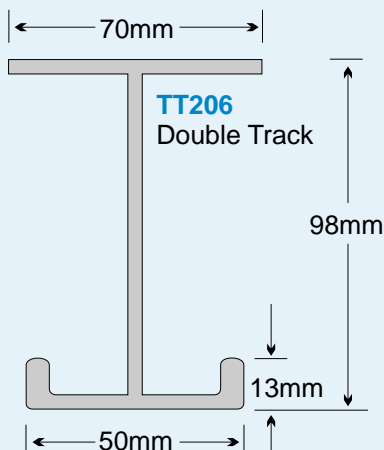
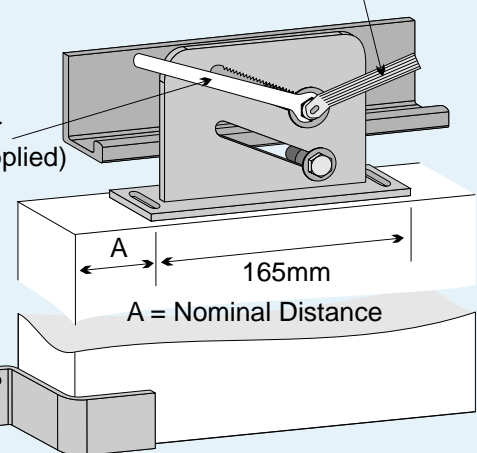
TT212 Adjustment Spanner supplied in components packs



TT216 Door Guide supplied in components packs



9/16" Spanner (Not supplied)



P622	Components Pack - Side Fix (for Single Door)
P627	Components Pack - Top Fix (for Single Door)
TT214	Race Assembly - Side Fix
TT225	Race Assembly - Top Fix
TT218	Heavy Duty Door Stop
TT215	Aluminium Single Track - 2500 and 5000mm
TT206	Aluminium Double Track - 5000mm

