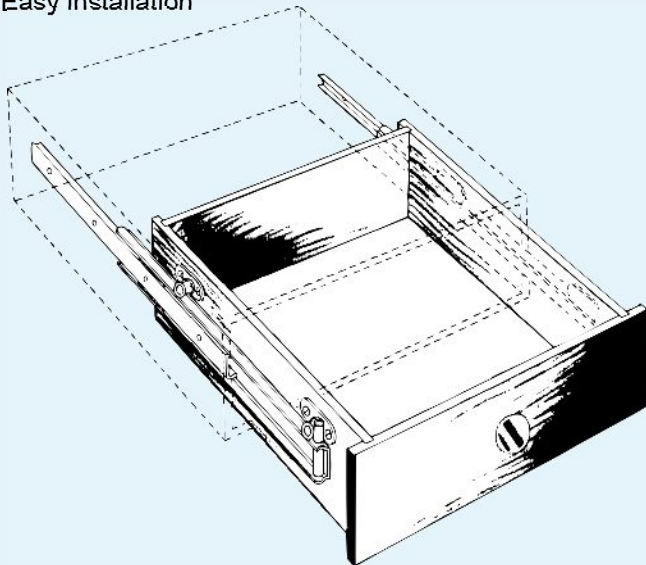


# DRAWER SLIDES B50 SERIES

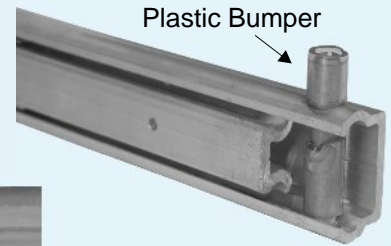
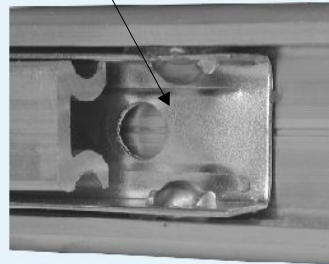
Ball Bearing Action  
Up to 28 kg per Set

## FEATURES:

- \*Maximum load up to 28kg
- \*Designed for both timber and steel drawer systems
- \*Manufactured from Heavy Duty Extruded Aluminium
- \*Ball Bearing movement allows for smoother action
- \***B7** Roller Guides increase extension to fullest extent
- \*Can be supplied with or without Roller Guides
- \*Special plastic bumper on slide prevents roller damage when opening
- \*Easy installation

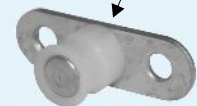


Ball Bearing Action



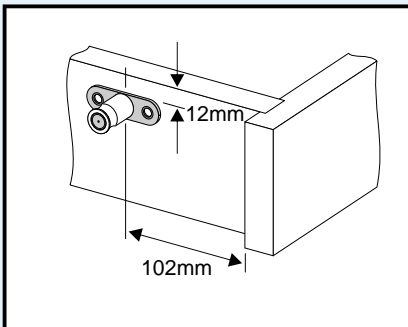
Plastic Bumper

**B7** Roller Guide

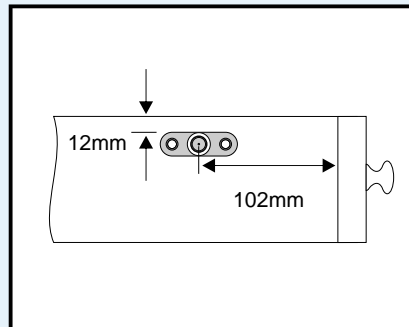


Each Drawer Slide Set comprises a right and left hand slide and set of four Roller Guides. The slides are fitted to the side frame and the rollers fitted to the drawer itself. The Cowdroy Drawer Slide Sets are available in three stock sizes: **B50** - 300mm Set, **B51** - 450mm Set & **B52** 600mm Set. All sets can be supplied without the **B7** Roller Guides. Special sizes are available on request.

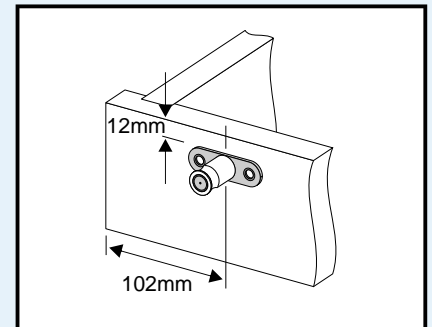
## INSTALLATION PROCEDURE:



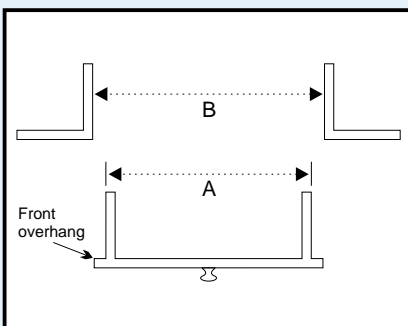
1. Position front Roller Guide with centre of roller 102mm in from inside front of drawer



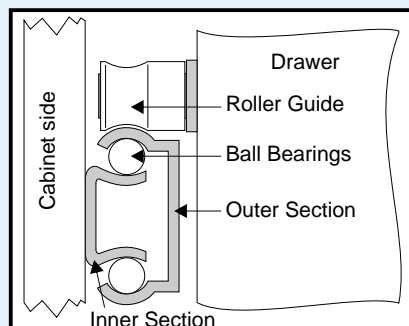
Location of front Roller Guide



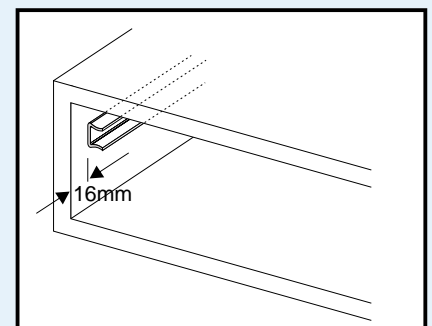
2. Position back Roller Guide with centre of roller 102mm in from back of drawer



3. To fit drawer, overall drawer width, excluding front overhang, (A) must be exactly 43mm less than internal opening (B)



4. Inner section of drawer slide to be fastened to inside of opening - set back 16mm from front of opening. When in a fully closed position the Plastic Buffer on the outer section must be upright and to the front



## Estimated Weight Carrying Capacity:

- B50 300mm Slides - 28kg per set
- B51 450mm Slides - 22kg per set
- B52 600mm Slides - 16kg per set

<b>B50</b>	300mm Drawer Slide Set - with or without <b>B7</b> Roller Guide
<b>B51</b>	450mm Drawer Slide Set - with or without <b>B7</b> Roller Guide
<b>B52</b>	600mm Drawer Slide Set - with or without <b>B7</b> Roller Guide
<b>B7</b>	Roller Guide