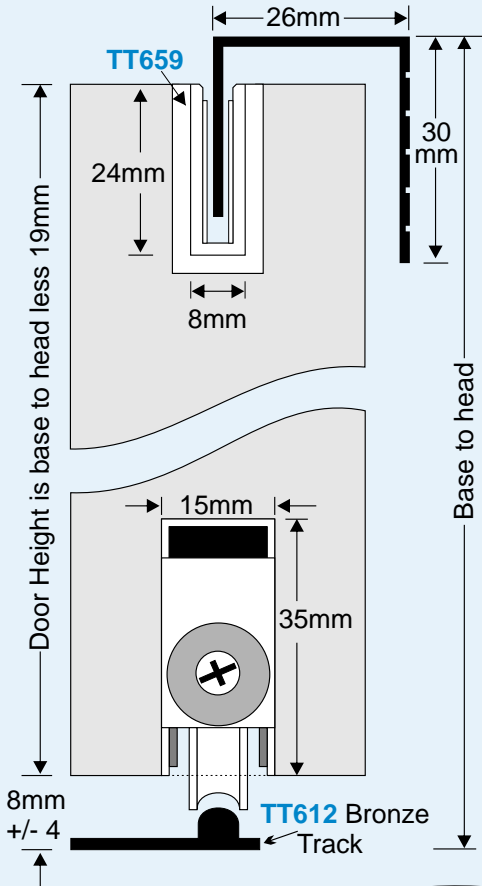


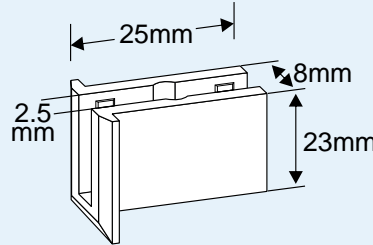
COASTLINE Sliding Door Track System With Stainless Steel Sheave - 100kg Per Door

Top Groove Joinery Detail using
TT658 Pelmet Guide and **TT659** Pelmet
Guide Block - 24mm D x 8mm T

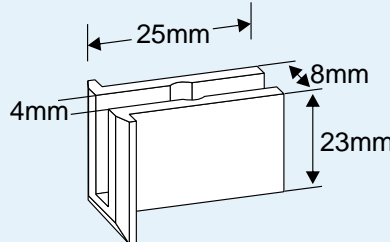


FEATURES:

- *Maximum load - 100kg per door
- *Heavy Duty height adjustable sheave fully Stainless steel
- *Suitable for external use
- *Manganese Bronze Track
- *Optional Head Guide Block - for noise reduction
- *Alternative Pelmet Guide and Pelmet Guide Block to aid with weatherproofing

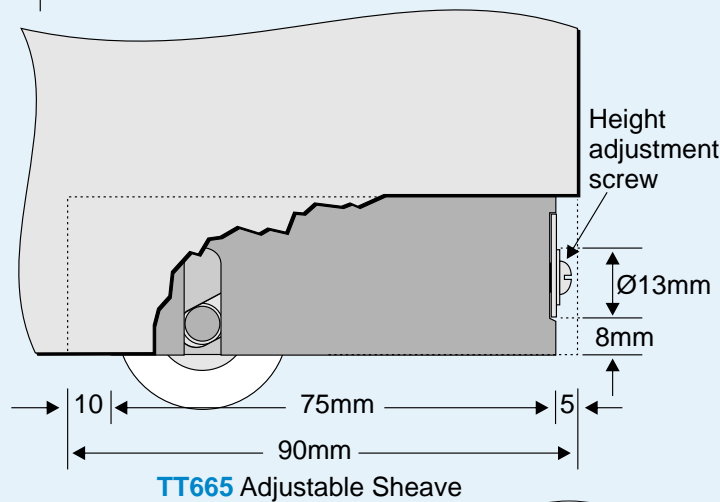
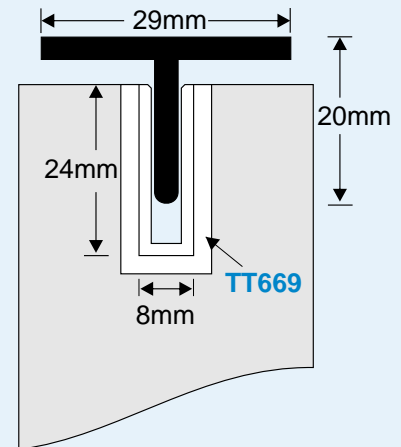


TT659 Pelmet Guide Block
- Nylon. For use with **TT658**

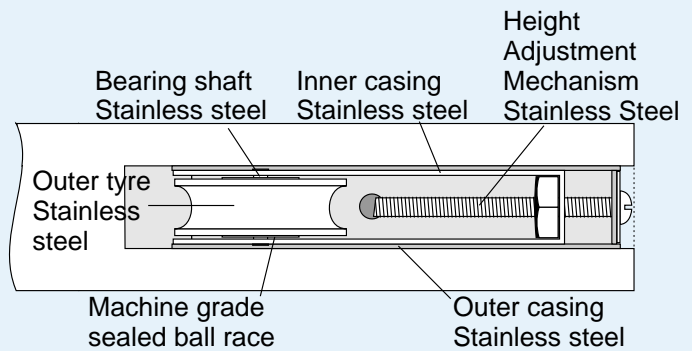


TT669 Head Guide Block
Nylon. For use with **TT208A**

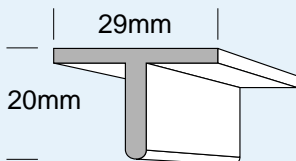
Top groove joinery detail using
TT208A Head Guide & **TT669** Head
Guide Block - 24mm D x 8mm T



TT665 Adjustable Sheave

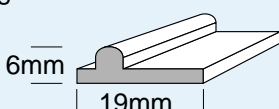


TT208A Head Guide



TT665

TT612 Manganese Bronze Track



TT665	Adjustable Sheave Stainless Steel
TT612	Manganese Bronze Track - 2500, 3000, 3700, 4500 & 6000mm undrilled 4500 & 6000mm pre-drilled and countersunk
TT208A	Aluminium Head Guide - 2500, 3000, 3700, 4500 & 6000mm Mill undrilled 4500 & 6000mm Mill pre-drilled & countersunk
TT658	Alum. Pelmet Guide - 2500, 4500 & 6000mm Bronze Anodised & Clear Anodised undrilled 4500 & 6000mm Bronze Anodised & Clear Anodised pre-drilled
TT659	Pelmet Guide Block
TT669	Head Guide Block