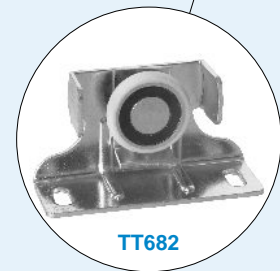
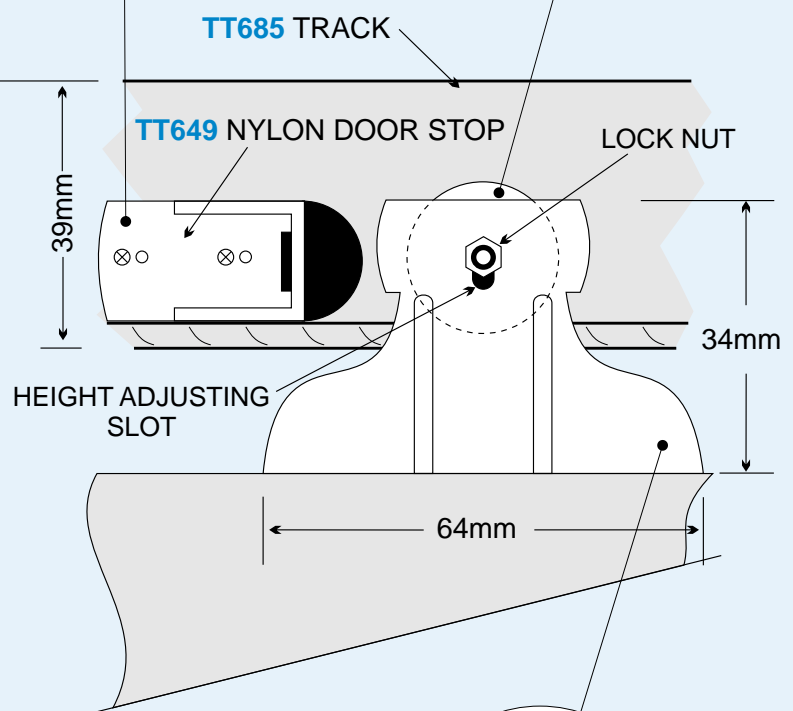
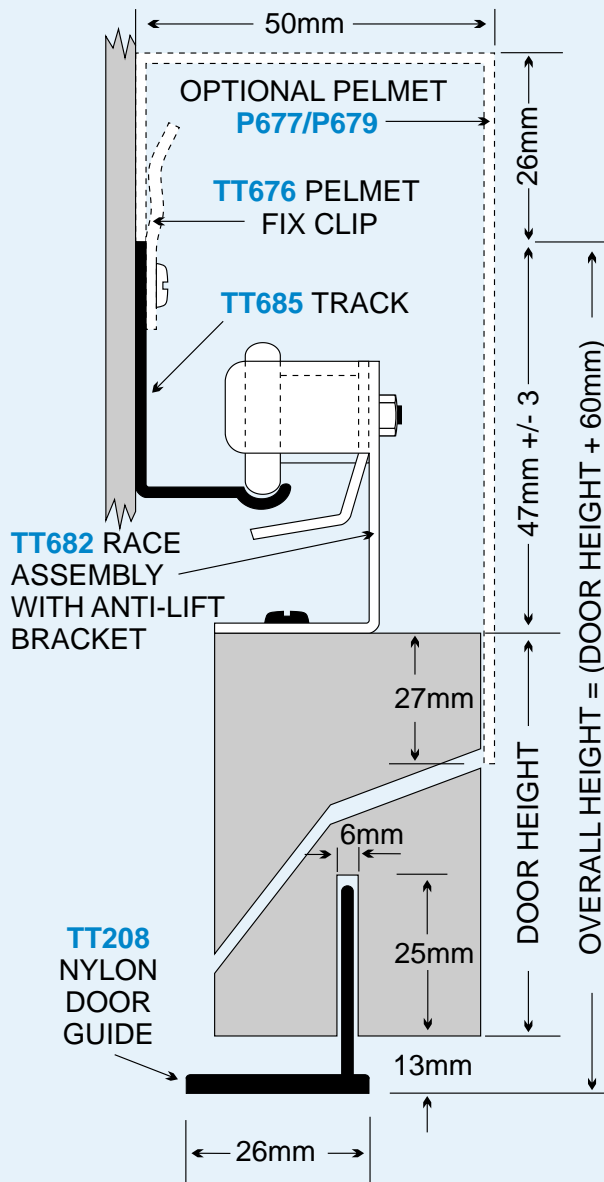


# ARROW Sliding Door Track System

## 30kg Per Door

### FEATURES:

- \*Maximum load 30kg per door
- \*Galvanised steel track - resists rusting
- \*Nylon tyred wheel with lubricated steel ball bearings for smooth operation
- \*Anti-lift bracket and height adjustment slot
- \*Nylon door guide - slimline & unobtrusive
- \*Anti-bounce door stop
- \*Pelmet - Aluminium extrusion Powder coated White or Steel Colorbond™ White
- \*Minimum door thickness 25mm



<b>P680</b>	Packaged Set for Single Door up to 915mm wide
<b>P677</b>	Aluminium Pelmet Set - 1830 & 3660mm White
<b>P679</b>	Colorbond™ Pelmet Set - 1800 & 2400mm White
<b>S681</b>	Pack of 2 TT681 Wheels with Axle & Nut
<b>S682</b>	Pack of 2 TT682 Race Assemblies
<b>S649</b>	Pack of 1 TT649 Door Stop
<b>S208</b>	Pack of 1 TT208 Standard Duty Door Guide

